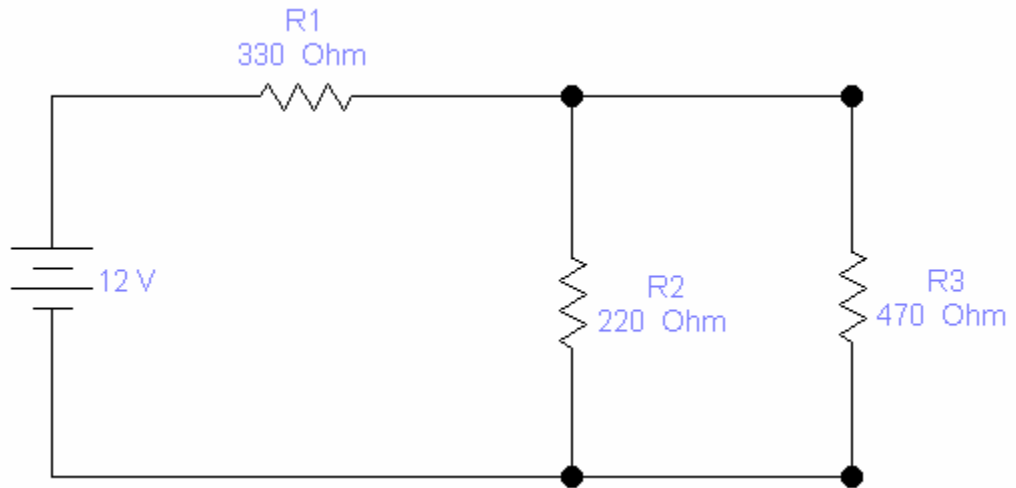


Name: _____

Combination Circuit Ex 2

Calculate the following:



R_t = _____

E_t = _____

I_t = _____

R₁ = _____

E₁ = _____

I₁ = _____

R₂ = _____

E₂ = _____

I₂ = _____

R₃ = _____

E₃ = _____

I₃ = _____