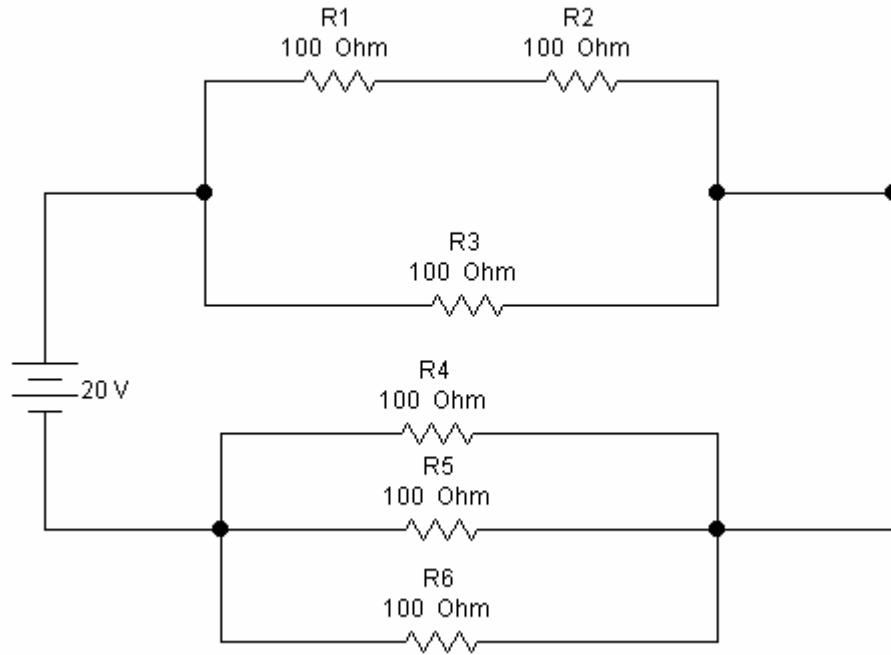


Name: _____

Combination Circuit Ex 6

Calculate the following:



Rt = _____

Et = _____

It = _____

R1 = _____

E1 = _____

I1 = _____

R2 = _____

E2 = _____

I2 = _____

R3 = _____

E3 = _____

I3 = _____

R4 = _____

E4 = _____

I4 = _____

R5 = _____

E5 = _____

I5 = _____

R6 = _____

E6 = _____

I6 = _____