

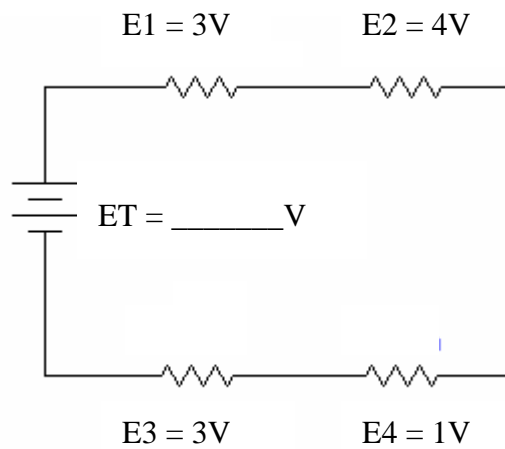
Name: _____

Date: _____

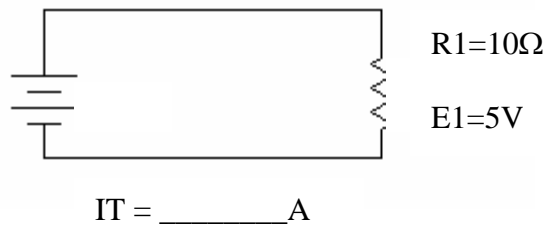
Chapter 6

Review Questions for Section 6.1

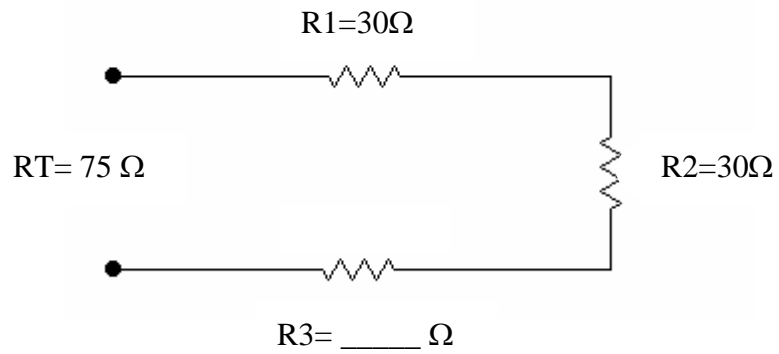
1. Find the value of the voltage source.



2. Find the total current.



3. Find the missing resistance.



4. Find the power in the circuit shown.

