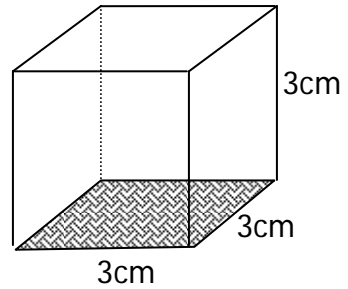


Geometry
Review - Chapter 11 (Surface Area, Volume)

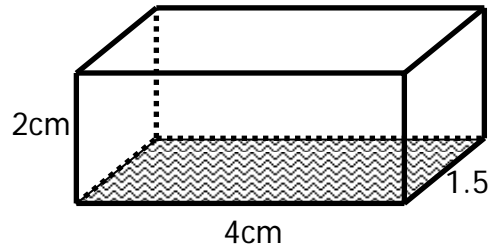
Name: _____ Period: _____

Show all work for full credit.

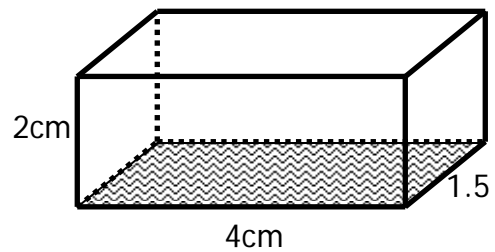
1. What is the lateral surface area?



2. What is the total surface area?

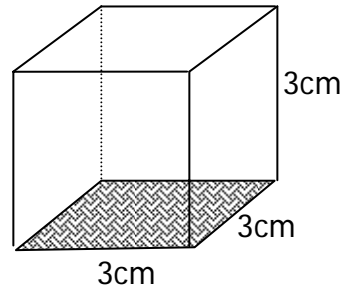


3. What is the volume?

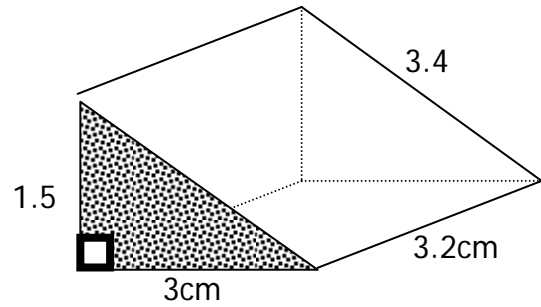


Geometry
Review - Chapter 11 (Surface Area, Volume)

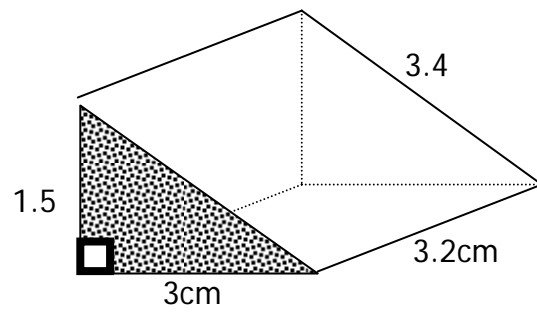
4. What is the volume?



5. What is the lateral surface area?

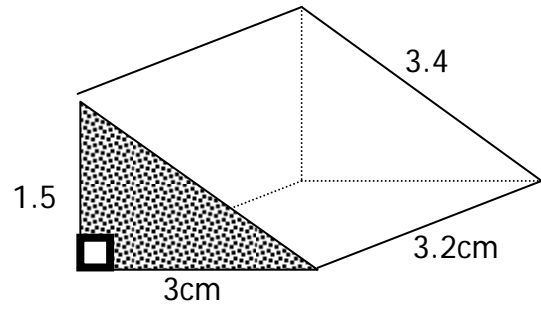


6. What is the total surface area?

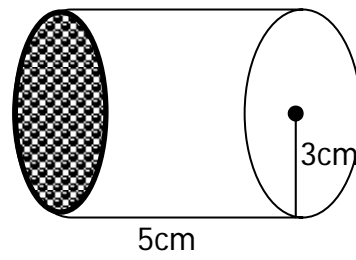


Geometry
Review - Chapter 11 (Surface Area, Volume)

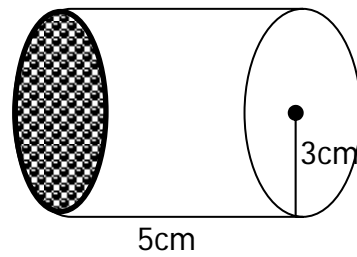
7. What is the volume?



8. What is the lateral surface area?

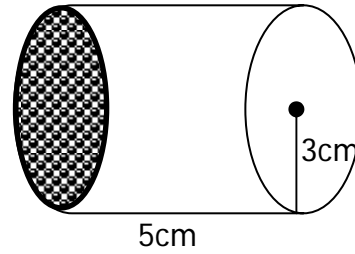


9. What is the total surface area?



Geometry
Review - Chapter 11 (Surface Area, Volume)

10. What is the volume?



11. The area of a square is 100 ft^2 . If the dimensions of the square are tripled, what is the AREA of the larger figure?

12. If the dimensions of a 40 feet by 44 feet rectangular carpet were divided by 4, what is the area of the smaller figure?

13. Suppose the length and width of a rectangle are multiplied by 8. By what factor would the perimeter increase?

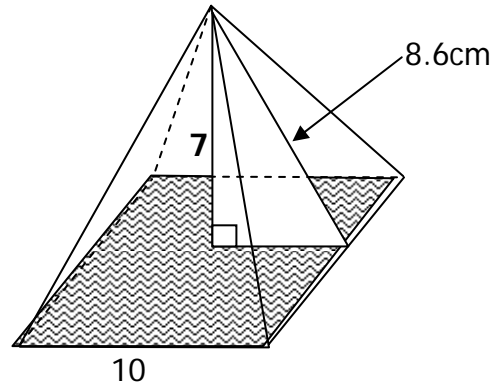
Geometry
Review - Chapter 11 (Surface Area, Volume)

14. Suppose the length and width of a rectangle are multiplied by 8. By what factor would the AREA increase?

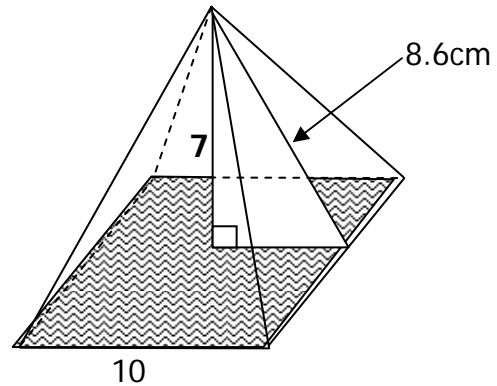
15. If the box is half full, what is the volume of the cheerios?



16. What is the total surface area?

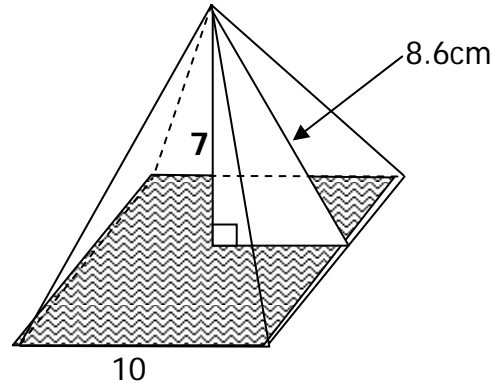


17. What is the lateral surface area?

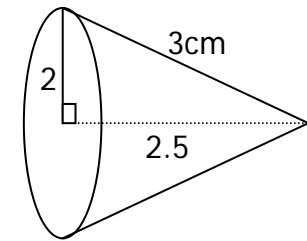


Geometry
Review - Chapter 11 (Surface Area, Volume)

18. What is the volume?

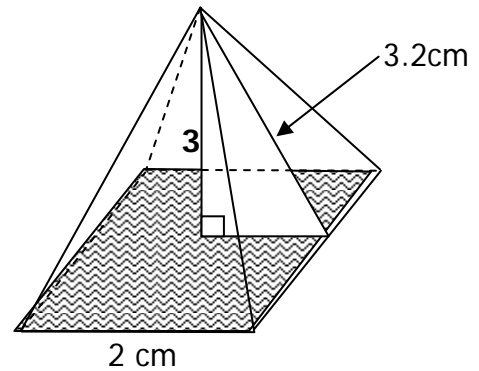


19. What is the volume?



20. If the dimensions of a 20 feet by 32 feet rectangular carpet were divided by 4, what is the area of the smaller figure?

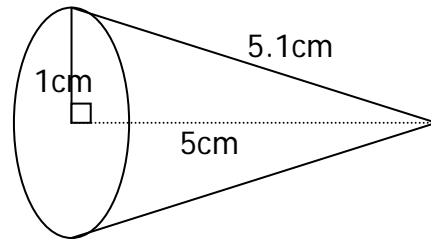
21. What is the total surface area?



Geometry

Review - Chapter 11 (Surface Area, Volume)

22. What is the total surface area?



23. The area of a square is 4 ft^2 . If the dimensions of the square are tripled, what is the AREA of the larger figure?

Geometry
Review - Chapter 11 (Surface Area, Volume)

Answers:

Question	Answer
1A	36 cm^2
2B	34 cm^2
3C	12 cm^3
4D	27 cm^3
5E	25.28 cm^2
6F	29.78 cm^2
7G	7.20 cm^3
8H	94 cm
9I	150 cm^2
10J	141 cm^3
11K	900 ft^2
12L	110 ft^2
13M	8
14N	64
15O	3000 cm^3
16P	272 cm^2
17Q	172 cm^2
18R	233.33 cm^3
19S	10.5 cm^3
20T	40 ft^2
21U	16.8 cm^2
22V	19.2 cm^2
23W	36 ft^2

Answers:

A
D
B
Q
G
V
U
R
K
E
C
L
J
T
O
S
N
H
I
M
F
P
W

